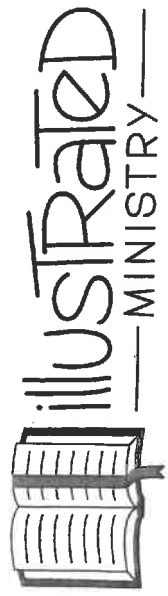
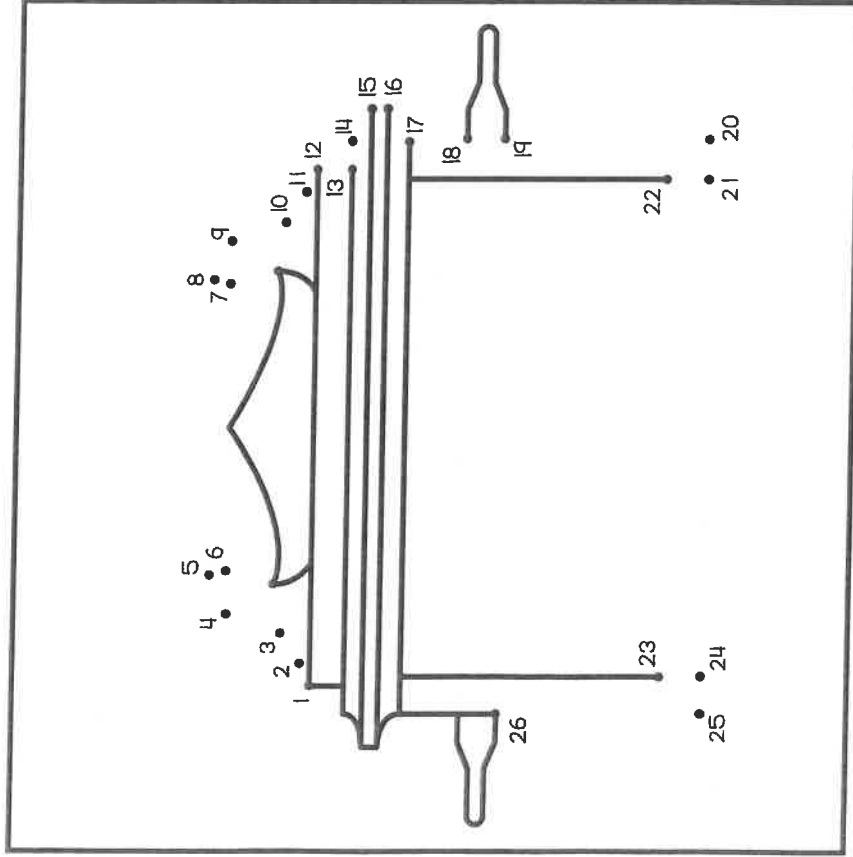


CONNECT the DOTS

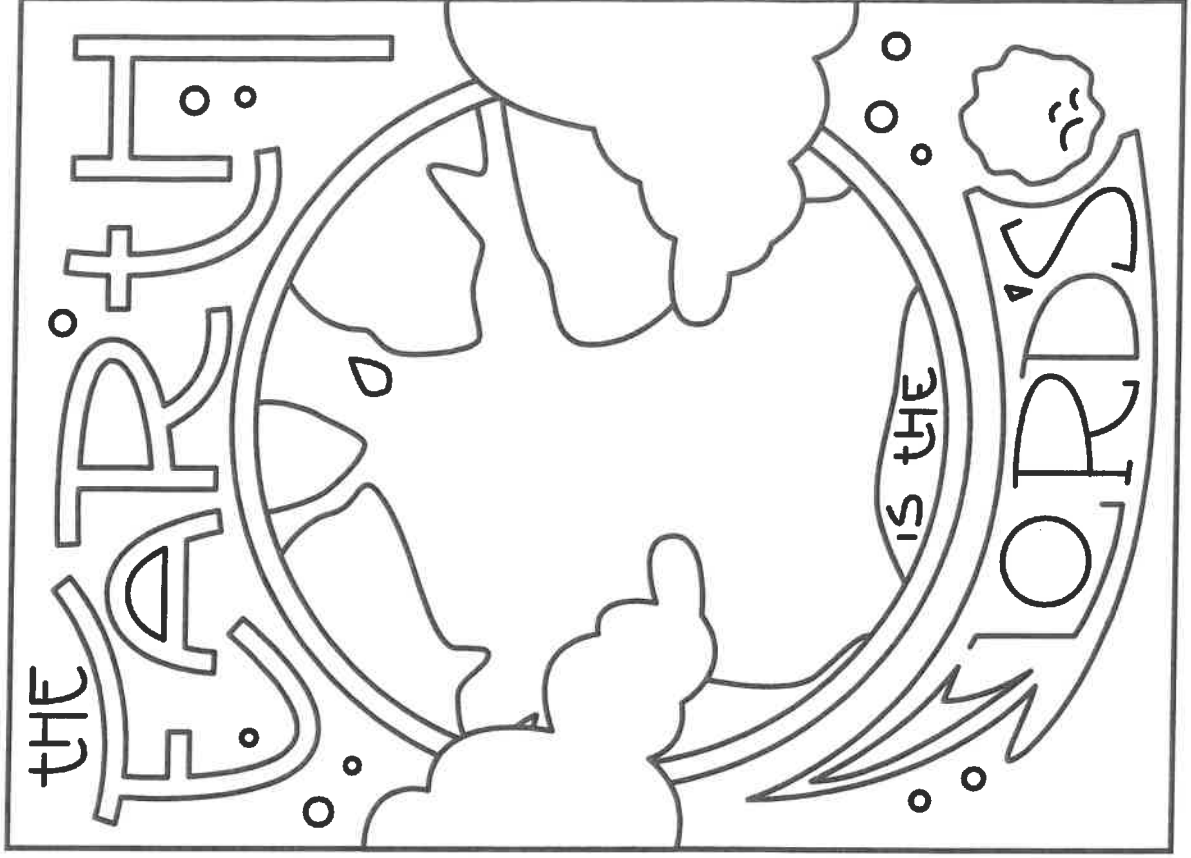
In the Hebrew Scriptures, God's people carried something special called "the ark of the covenant" that represented God's presence. They would put the ark on a cart to travel with them. Connect the dots to see what this ark looked like.



Suggested for use on July 14, 2024 based on the RCL.
Copyright © 2024 Illustrated Ministry, LLC. All rights reserved. May be reproduced for congregational use provided each copy carries this notice. illustratedministry.com

CHILDREN'S WORSHIP • BULLETIN

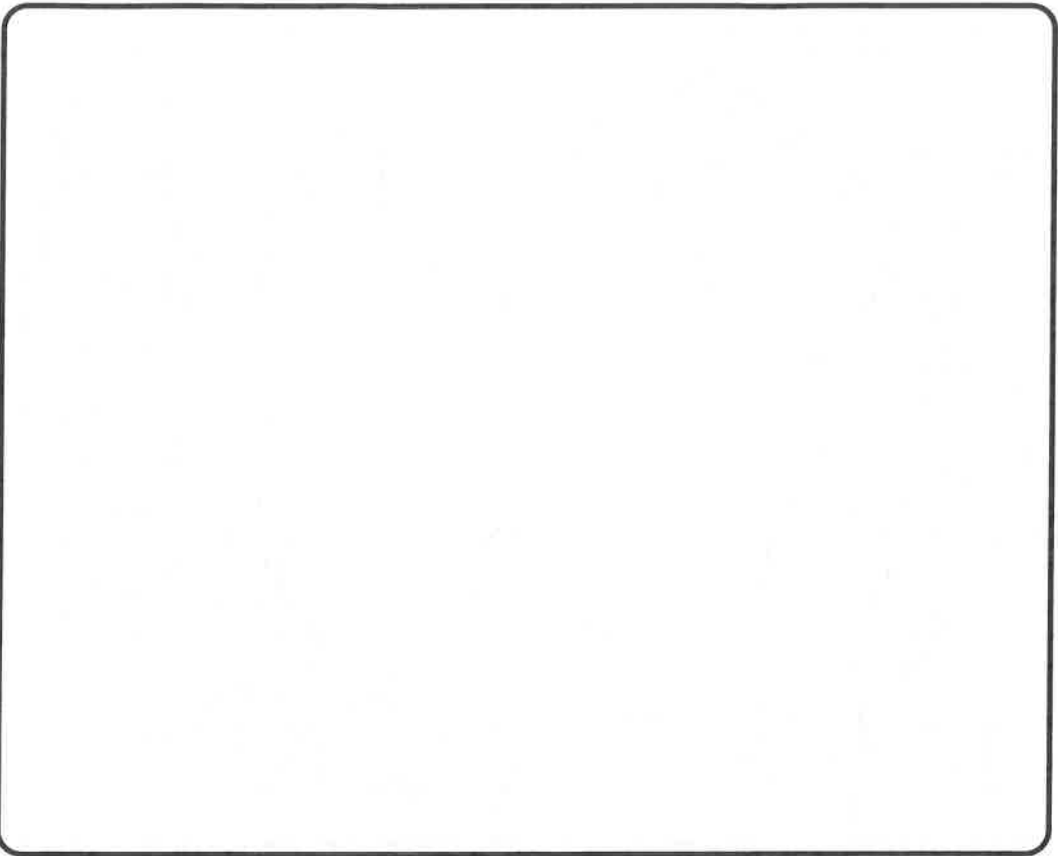
Activities based on 2 Samuel 6:1-5, 12-19, Psalm 24, Ephesians 1:3-14.





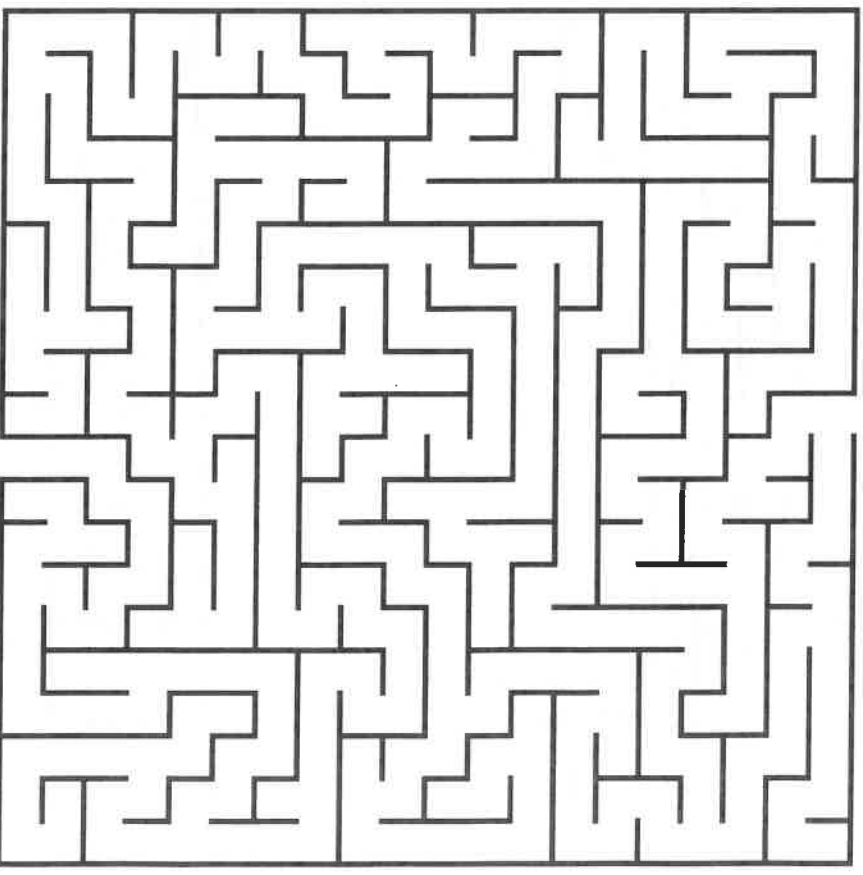
DRAW IT

Psalms 24 says, "The earth is the Lord's and all that is in it." Draw a picture of the world and then within the world, draw the things that are a part of your life. As you draw, think about how God is the Maker of all these things. If God made these things, God loves these things.



SOLVE (the) MAZE

Ephesians 1 says God gives all God's children an "inheritance," which is a fancy name for a gift. There are many gifts God gives us as a part of this inheritance: hope, love, the promise God will always be with us, and more. Make your way through the maze and when you get to the end, write or draw some of the gifts God has given you as an inheritance.



START

END